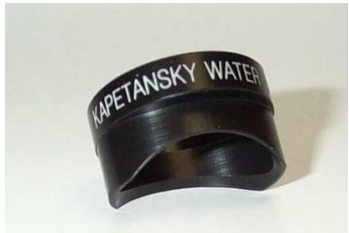
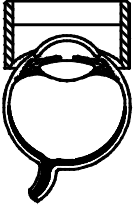


## Kapetansky Water Bath

	<b>Product Code</b>	<b>Size</b>	<i>Designed with Fredrick M. Kapetansky, M.D., Columbus, OH.</i>	
	<b>OKWB21</b> <b>CE</b>	21mm x 15mm x 13mm		

### Design

The saddle shape of the cup makes an ideal fit for the anterior sclera and thereby minimizes the loss of saline solution. In addition, the fluid reservoir attached to the top of the cup provides a depth of saline which is more than adequate for the ultrasonic probe to function properly.

### Technique

Since the cup has the slimmest profile possible, the user only needs to have the patient look up while inserting the cup into the inferior cul-de-sac. When the patient looks down, the upper lid will quite naturally make contact with the superior edge of the cup for a water-tight fit.

### Cleaning and Disinfection

See Cleaning Method 3

